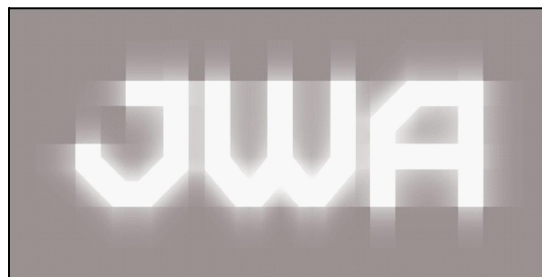
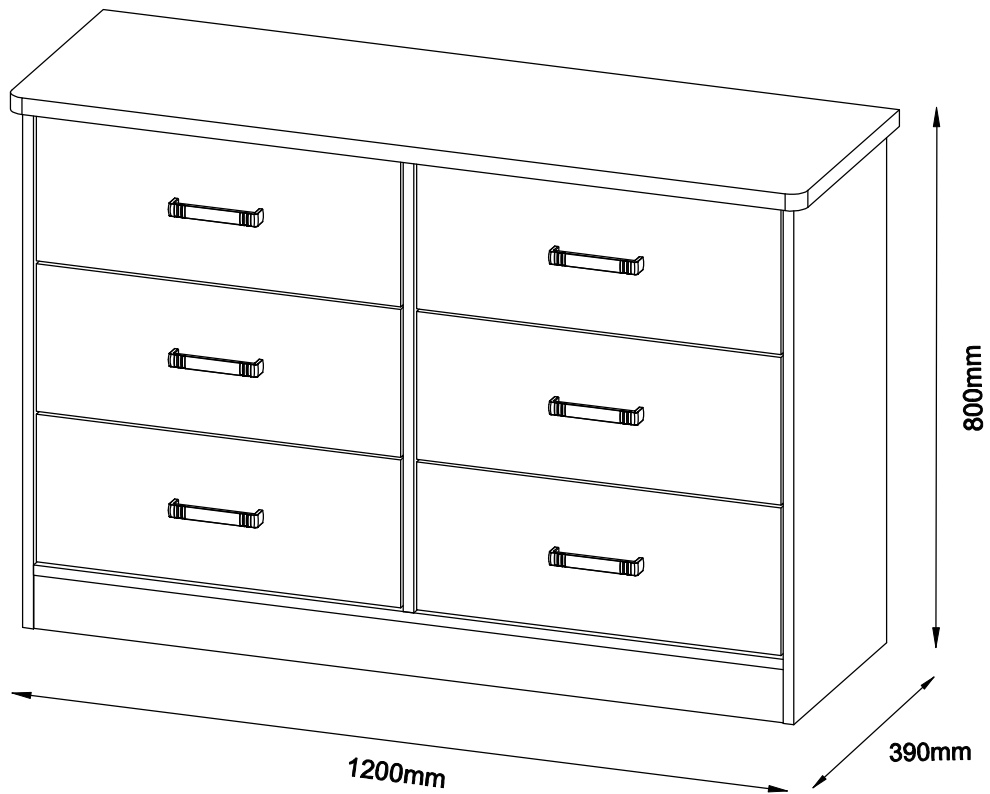


ASSEMBLY INSTRUCTION

LAM

6 DRAWER DRESSER

ITEM CODE 85499



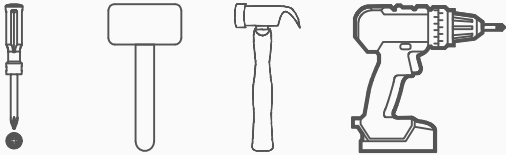




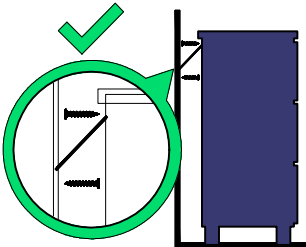

Imported by JWA Furniture Pty Ltd, Qld, Brisbane Australia
For any assistance with assembly or for missing parts please refer to your receipt

PRE-ASSEMBLY PREPARATION


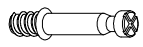






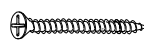

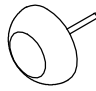


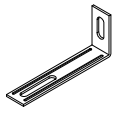

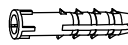
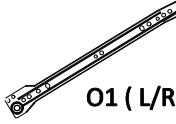
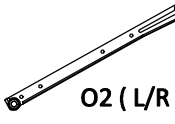
Before you start:

1. Choose a clean, level, spacious assembly area. Avoid hard surfaces that may damage the product.
2. Take care when lifting. Product should be assembled as near as possible to the point of use.
3. Ensure that you have all required contents for complete assembly.
4. Always read the assembly instructions carefully before beginning assembly.
5. Keep all hardware parts and packaging out of reach of small children.
6. Do not over tighten the screws and bolts as this may damage the threads.
7. Assembly is to be carried out by a competent adult(s) ONLY.
8. During assembly, children should be kept away from the product due to possible risk to injury.
9. Do not use this item if any components are missing or damaged.
10. Please keep the instructions for future reference.

| | |
|--|---|
|  |  |
| ALLOW 60 MINUTES | PEOPLE REQUIRED |
|  | |
| ADDITIONAL TOOL REQUIRED | |

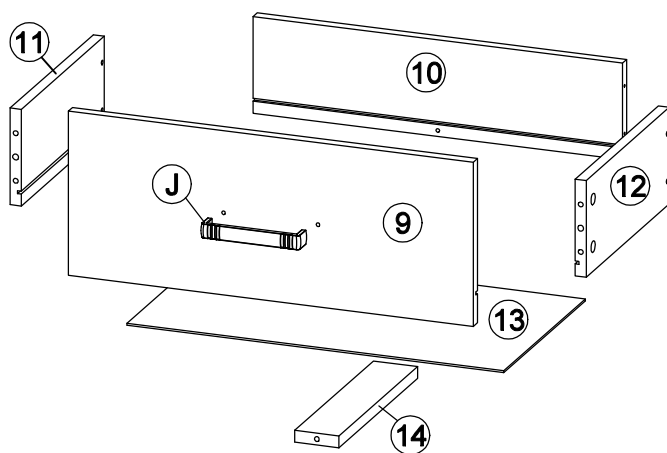
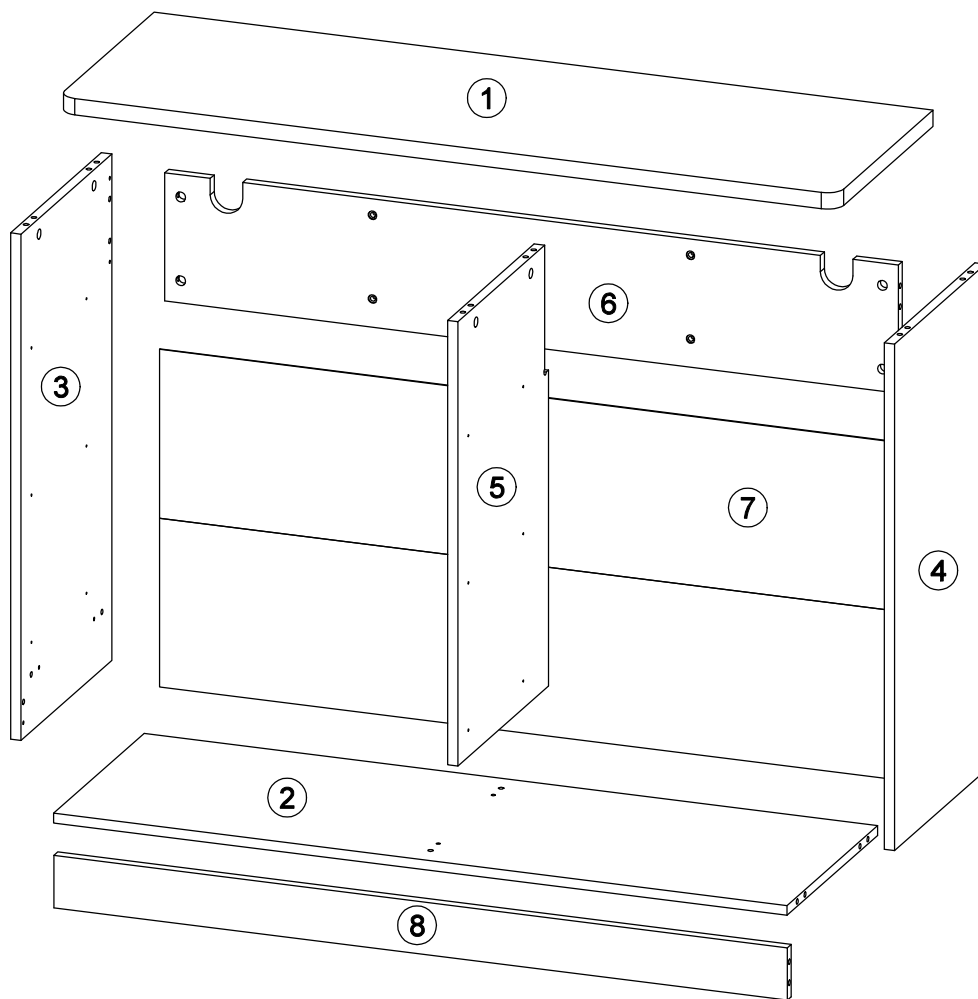
| | | |
|--|---|---|
|  WARNING | | |
|  |  | <p>Children have died from furniture tipover.</p> <ul style="list-style-type: none">• ALWAYS secure it with an anchor device.• NEVER allow children to stand, climb or hang on drawers, doors, or shelves.• NEVER open more than one drawer at a time.• Place heavy items down low <p>NEVER put a TV on this furniture </p> <p>This is a permanent label. Do not remove!</p> |

PARTS LIST

| | | | | | |
|---|---|---|---|---|---|
| <p>(A) X 52 SETS</p> <div style="display: flex; justify-content: space-around; align-items: center;">    </div> <p style="text-align: center;">A1 A2 A3 MINIFIX</p> | <p>(B) X 30</p>  <p style="text-align: center;">WOOD DOWEL M8 X 30</p> | <p>(C) X 4</p>  <p style="text-align: center;">M6 X 50MM CSK CAP WOOD SCREW</p> | <p>(D) X 1</p>  <p style="text-align: center;">ALLEN KEY M4</p> | <p>(E) X 78</p>  <p style="text-align: center;">M3.5 X 16MM C.B SCREW</p> | |
| <p>(F) X 12</p>  <p style="text-align: center;">M4 X 25MM C.B SCREW</p> | <p>(G) X 26</p>  <p style="text-align: center;">M4 X 38MM C.B SCREW</p> | <p>(H) X 24</p>  <p style="text-align: center;">5/8 NAIL</p> | <p>(I) X 6</p>  <p style="text-align: center;">5/8 PVC NAIL LEG</p> | <p>(J) X 6</p>  <p style="text-align: center;">PVC HANDLE 3252</p> | <p>(K) X 2</p>  <p style="text-align: center;">ONE HOLE L BRACKET (2MM)</p> |
| <p>(L) X 2</p>  <p style="text-align: center;">L BRACKET MOUNTING</p> | <p>(M) X 2</p>  <p style="text-align: center;">FLAT WASHER M6</p> | <p>(N) X 2</p>  <p style="text-align: center;">WALL PLUG</p> | <p>(O) X 6 SETS</p> <div style="display: flex; justify-content: space-around; align-items: center;">   </div> <p style="text-align: center;">O1 (L/R) O2 (L/R) 12" DRAWER SLIDE</p> | | |

| | | |
|---|-------------------|------|
| 1 | TOP PANEL | 1 PC |
| 2 | BOTTOM PANEL | 1 PC |
| 3 | SIDE PANEL (L) | 1 PC |
| 4 | SIDE PANEL (R) | 1 PC |
| 5 | CENTER PANEL | 1 PC |
| 6 | BACK MIDDLE PANEL | 1 PC |
| 7 | BACK PANEL | 1 PC |

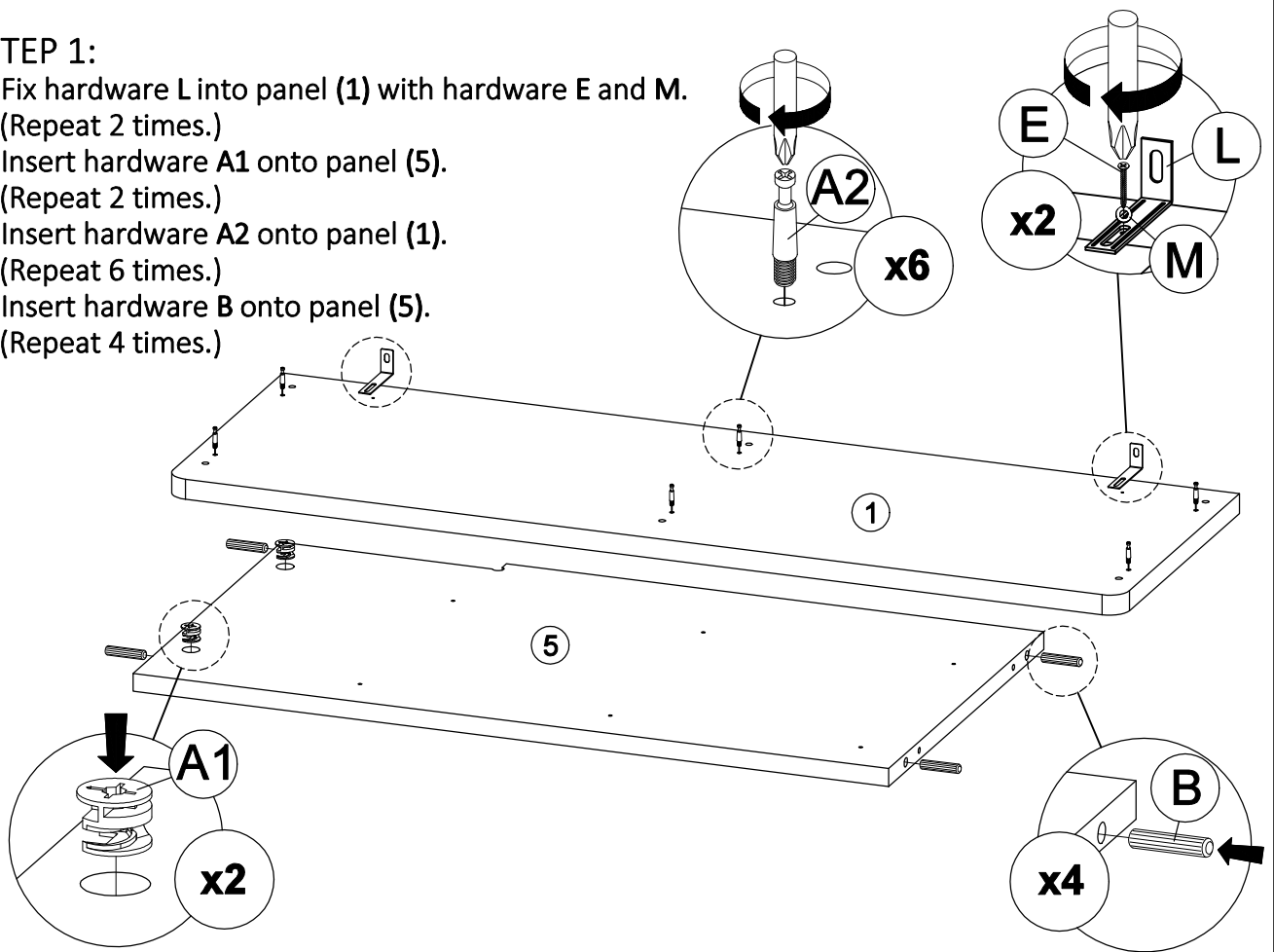
| | | |
|----|-----------------|-------|
| 8 | LEG PANEL | 1 PC |
| 9 | DRAWER FRONT | 6 PCS |
| 10 | DRAWER BACK | 6 PCS |
| 11 | DRAWER SIDE (L) | 6 PCS |
| 12 | DRAWER SIDE (R) | 6 PCS |
| 13 | DRAWER BOTTOM | 6 PCS |
| 14 | DRAWER BONE | 6 PCS |



x6

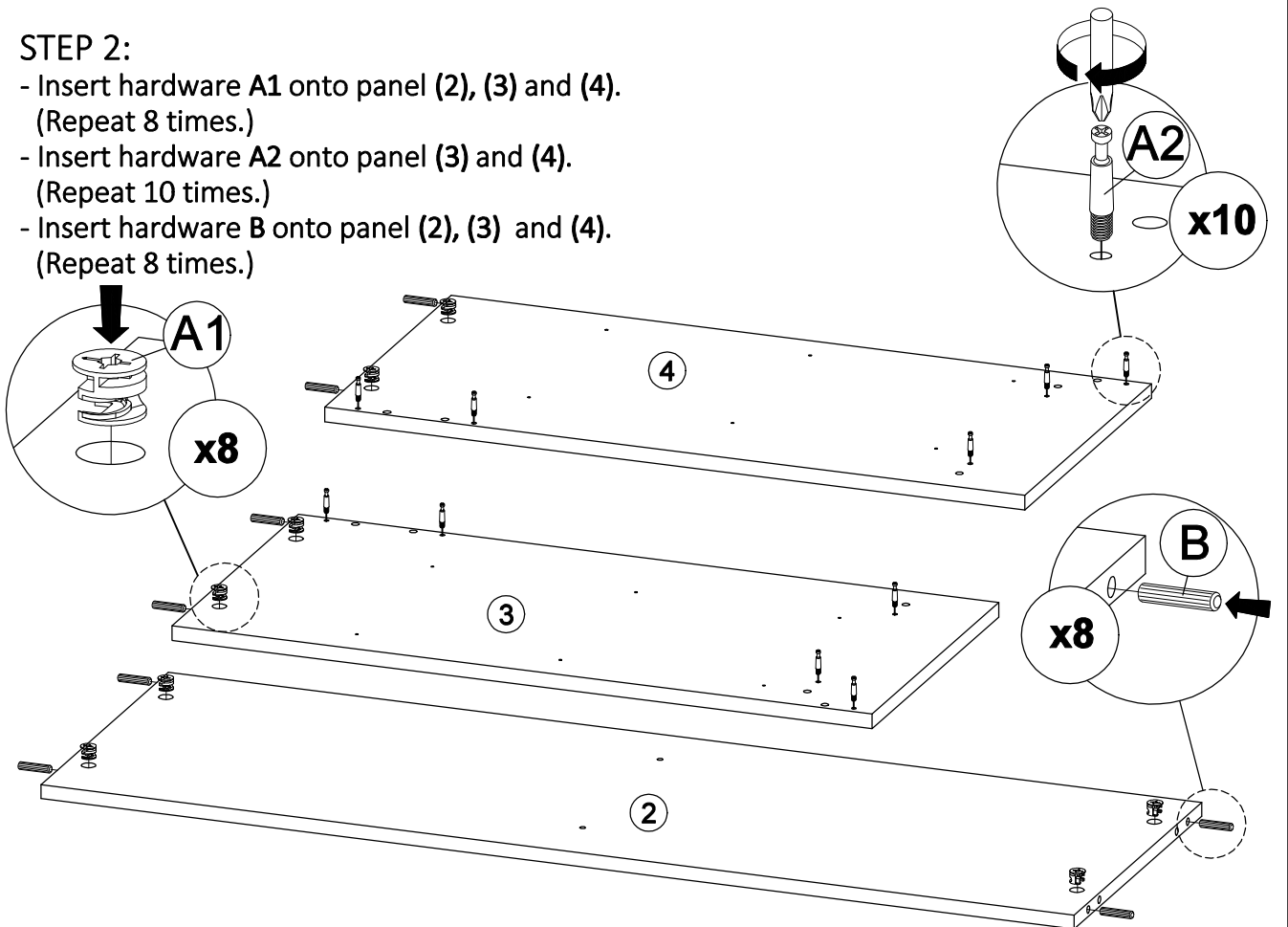
STEP 1:

- Fix hardware L into panel (1) with hardware E and M.
(Repeat 2 times.)
- Insert hardware A1 onto panel (5).
(Repeat 2 times.)
- Insert hardware A2 onto panel (1).
(Repeat 6 times.)
- Insert hardware B onto panel (5).
(Repeat 4 times.)



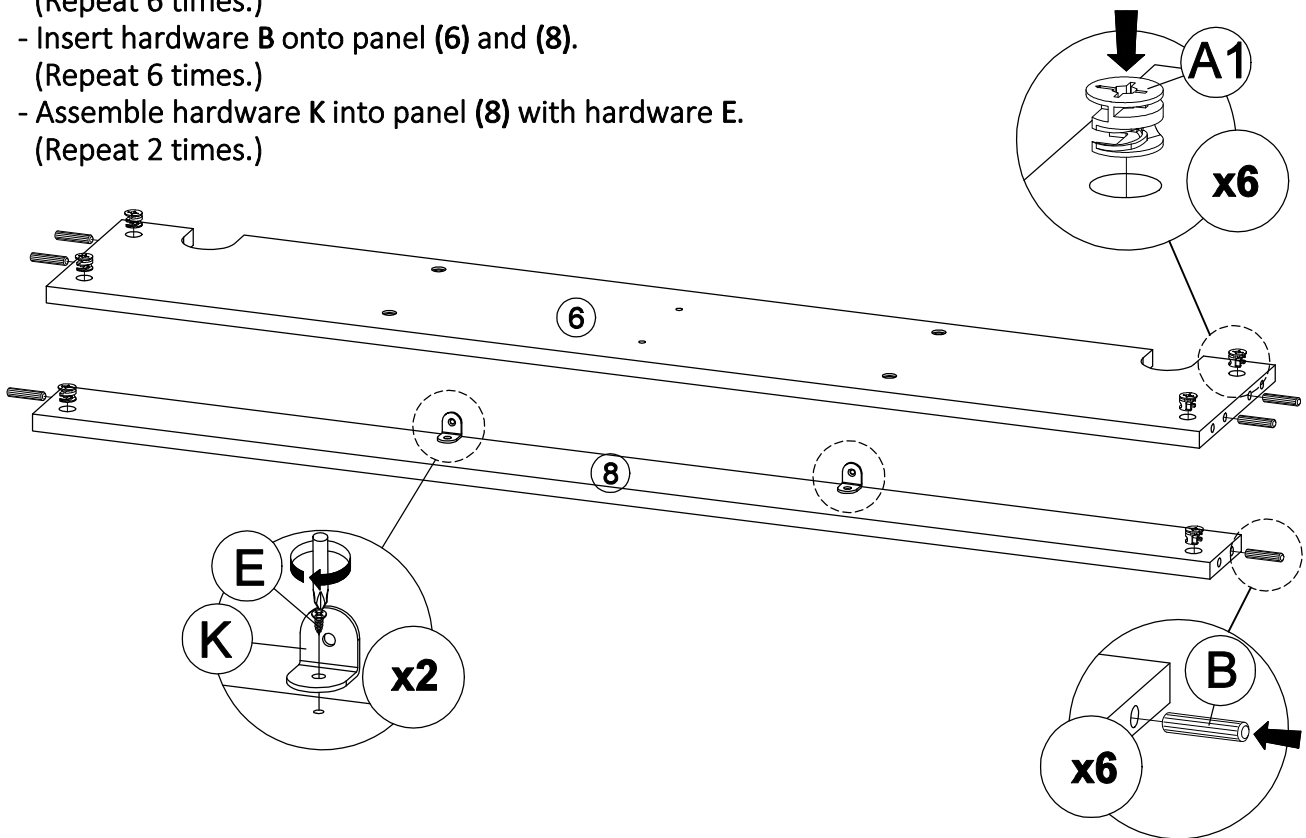
STEP 2:

- Insert hardware A1 onto panel (2), (3) and (4).
(Repeat 8 times.)
- Insert hardware A2 onto panel (3) and (4).
(Repeat 10 times.)
- Insert hardware B onto panel (2), (3) and (4).
(Repeat 8 times.)



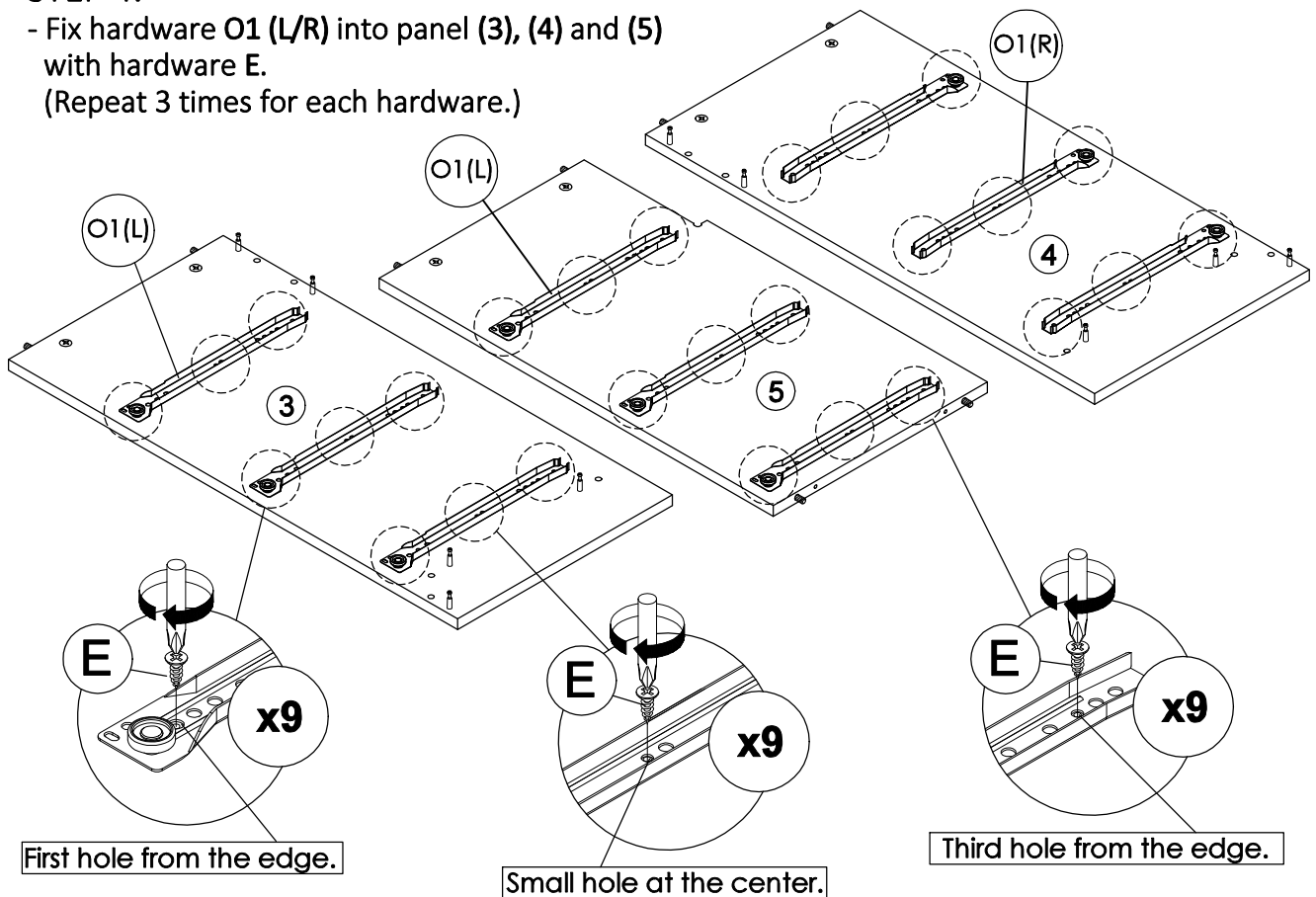
STEP 3:

- Insert hardware **A1** onto panel **(6)** and **(8)**.
(Repeat 6 times.)
- Insert hardware **B** onto panel **(6)** and **(8)**.
(Repeat 6 times.)
- Assemble hardware **K** into panel **(8)** with hardware **E**.
(Repeat 2 times.)



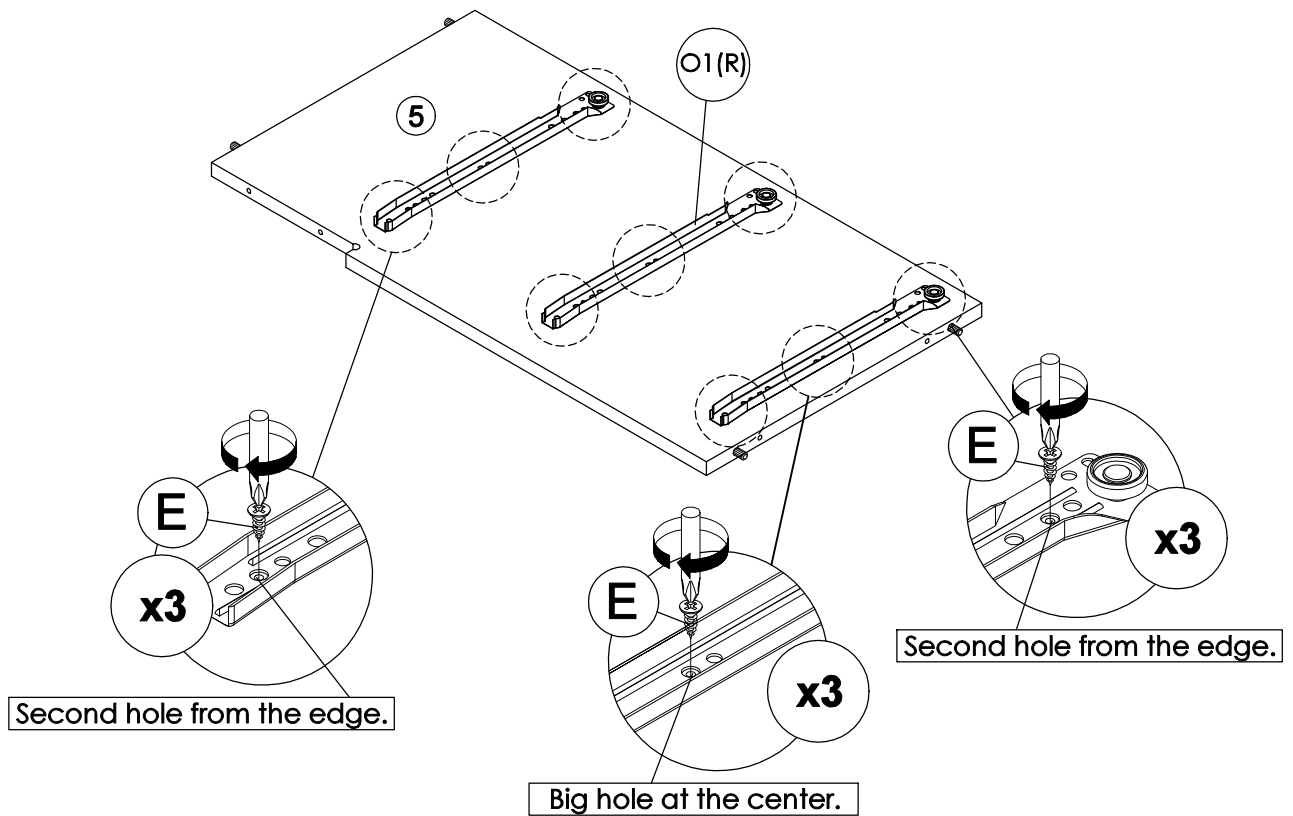
STEP 4:

- Fix hardware **O1 (L/R)** into panel **(3), (4)** and **(5)** with hardware **E**.
(Repeat 3 times for each hardware.)



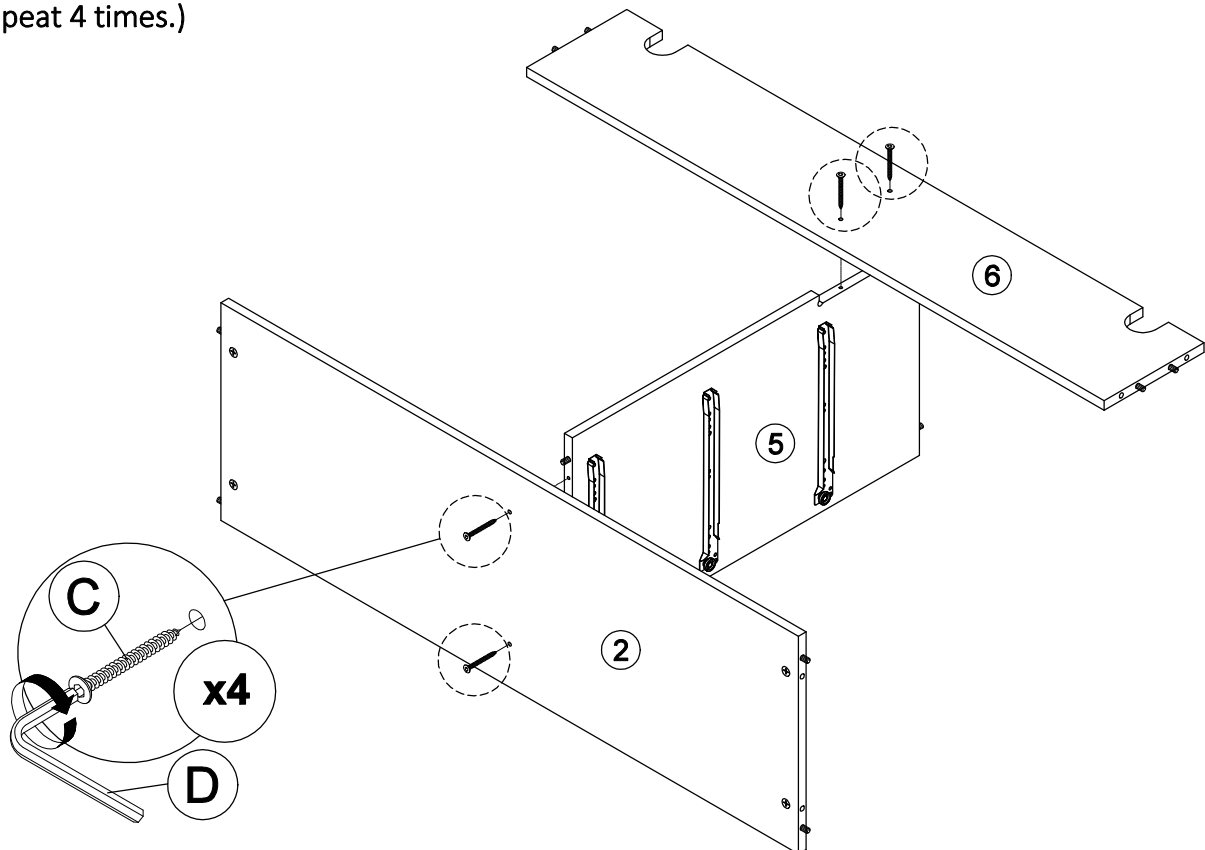
STEP 5:

- Fix hardware O1 (R) into panel (5) with hardware E.
(Repeat 3 times for each hardware.)



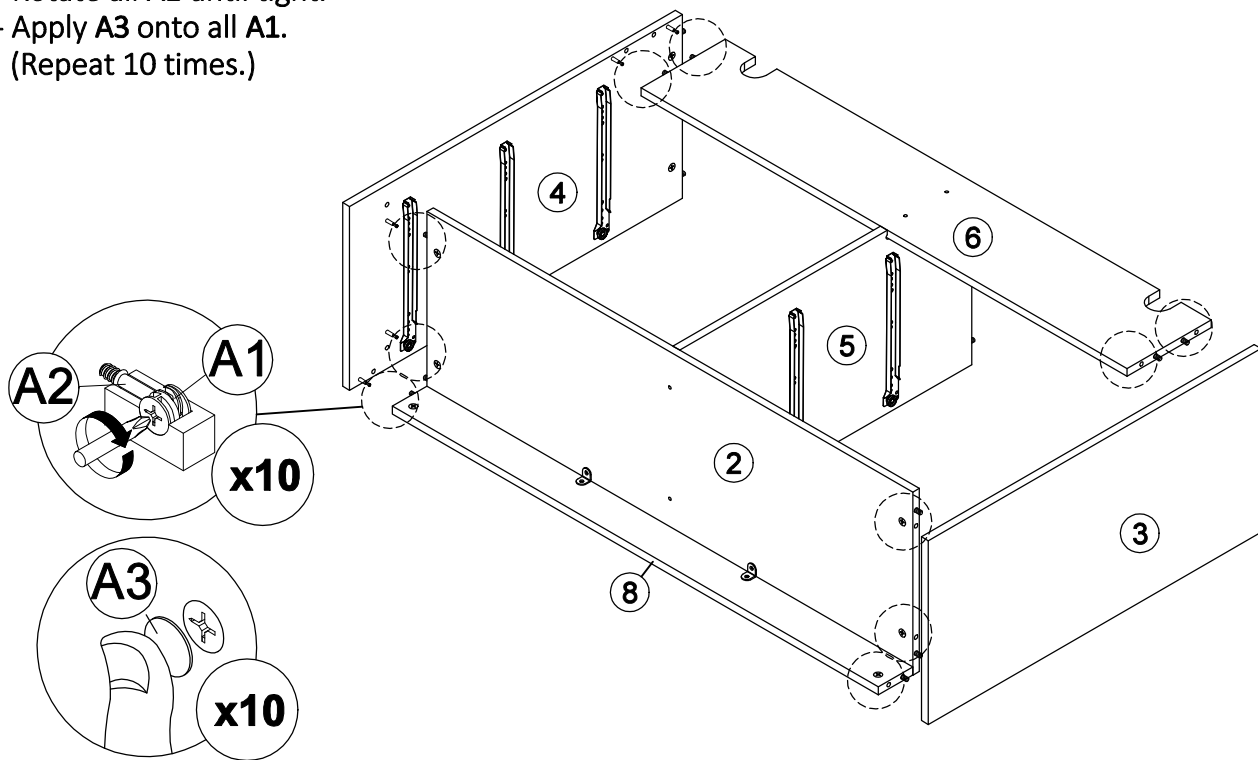
STEP 6:

- Connect panel (5) to panel (2) and (6) by using hardware C and D.
(Repeat 4 times.)



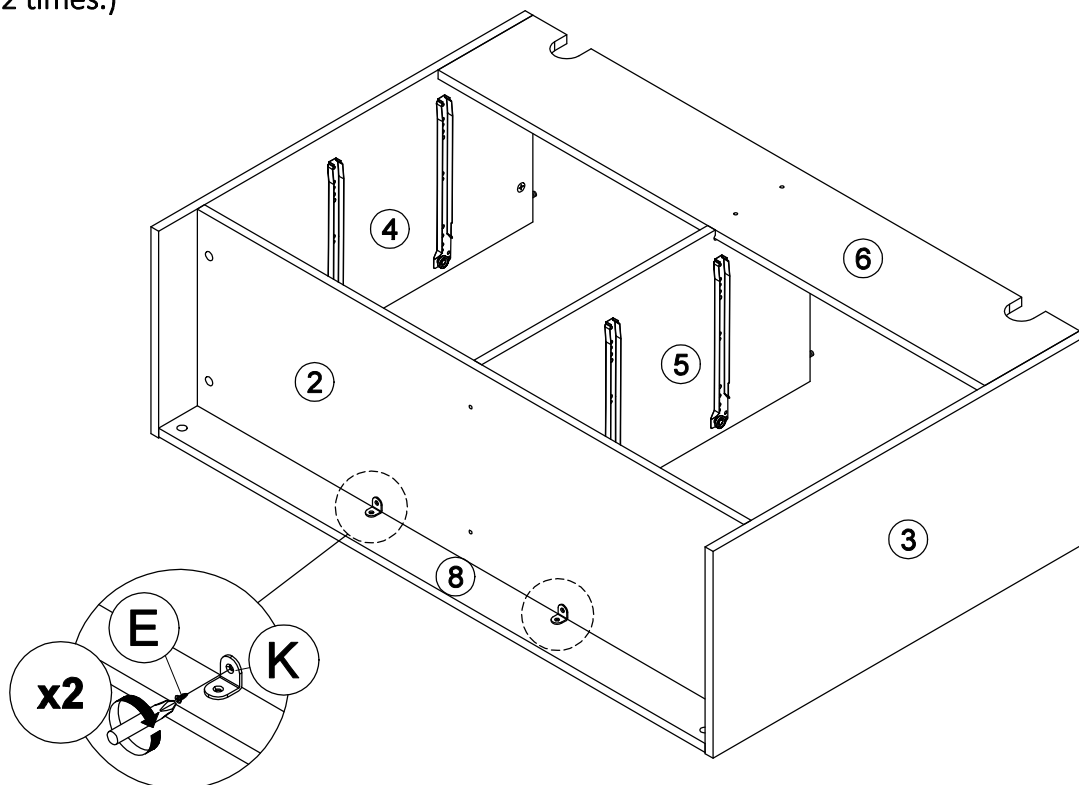
STEP 7:

- Attach panel (3) and (4) to panel (2), (6) and (8).
- Insert all hardware A2 into A1.
- Rotate all A1 until tight.
- Apply A3 onto all A1.
- (Repeat 10 times.)



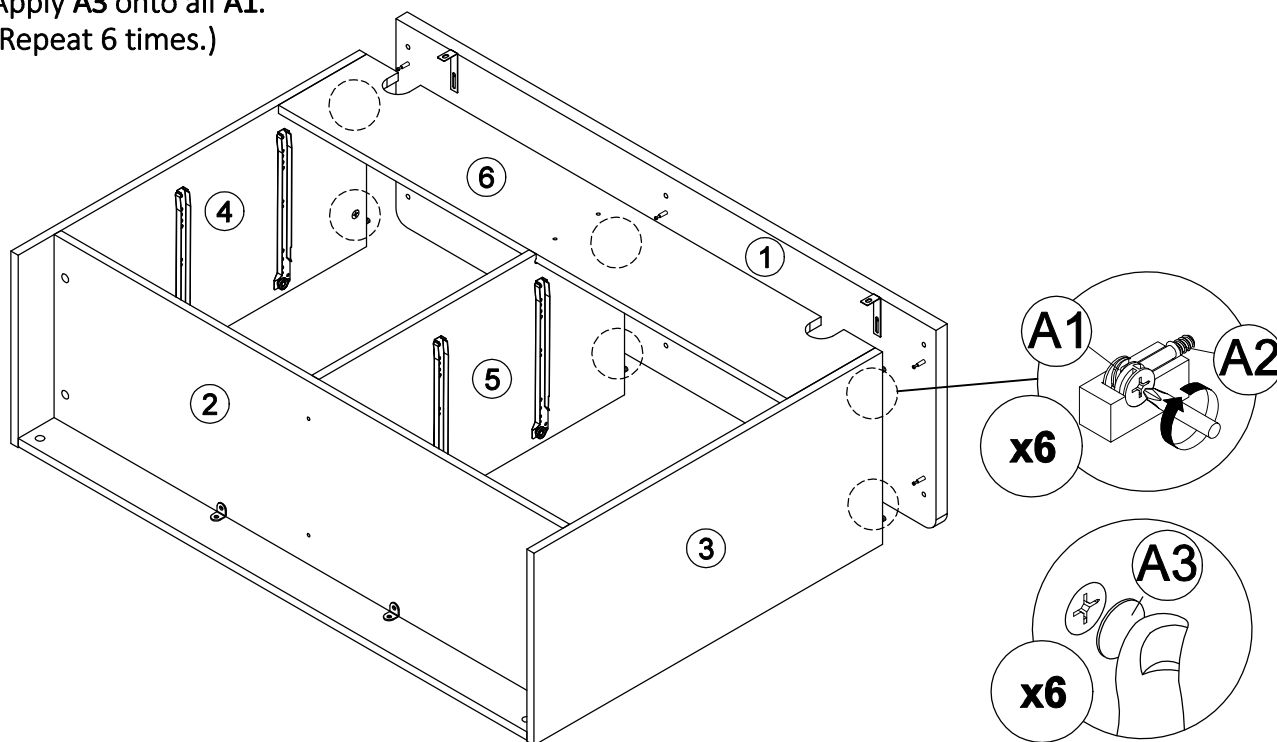
STEP 8:

- Assemble hardware K into panel (2) with hardware E.
- (Repeat 2 times.)



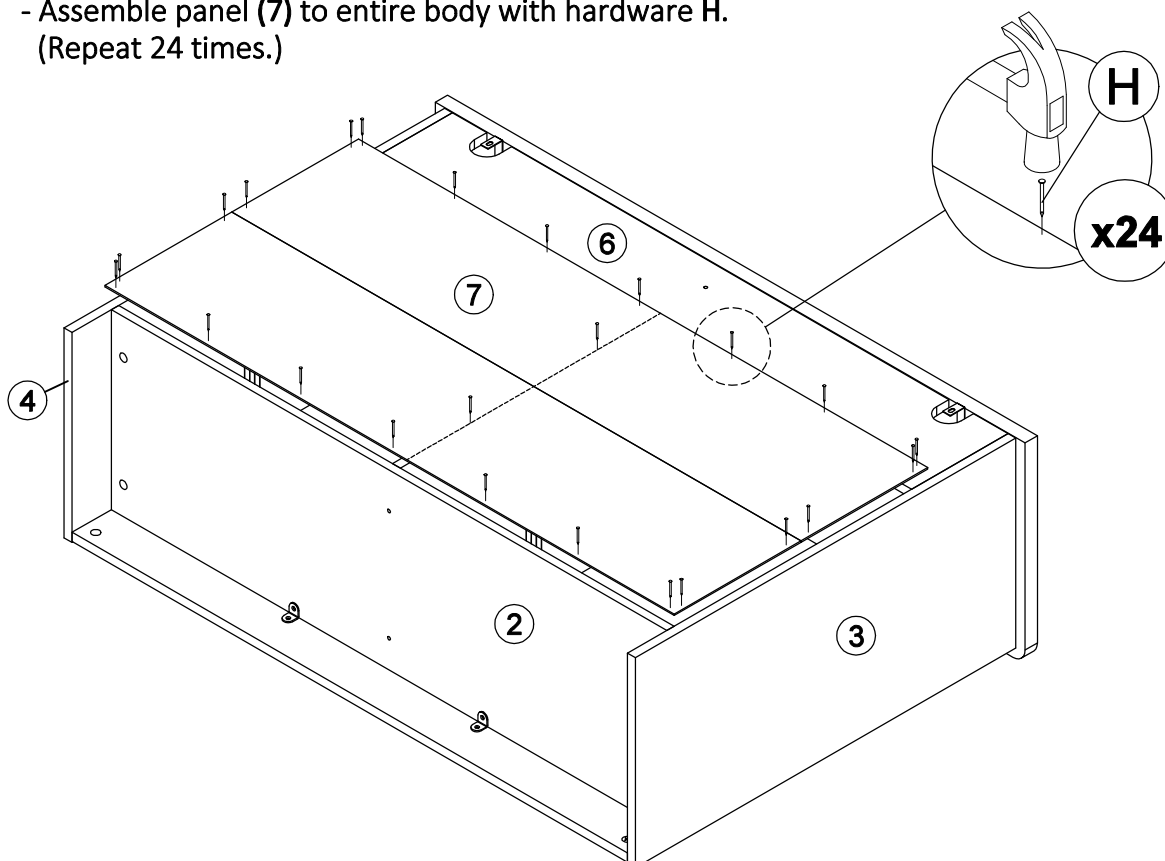
STEP 9:

- Attach panel (1) to panel (3), (4) and (5).
- Insert all hardware A2 into A1.
- Rotate all A1 until tight.
- Apply A3 onto all A1.
- (Repeat 6 times.)



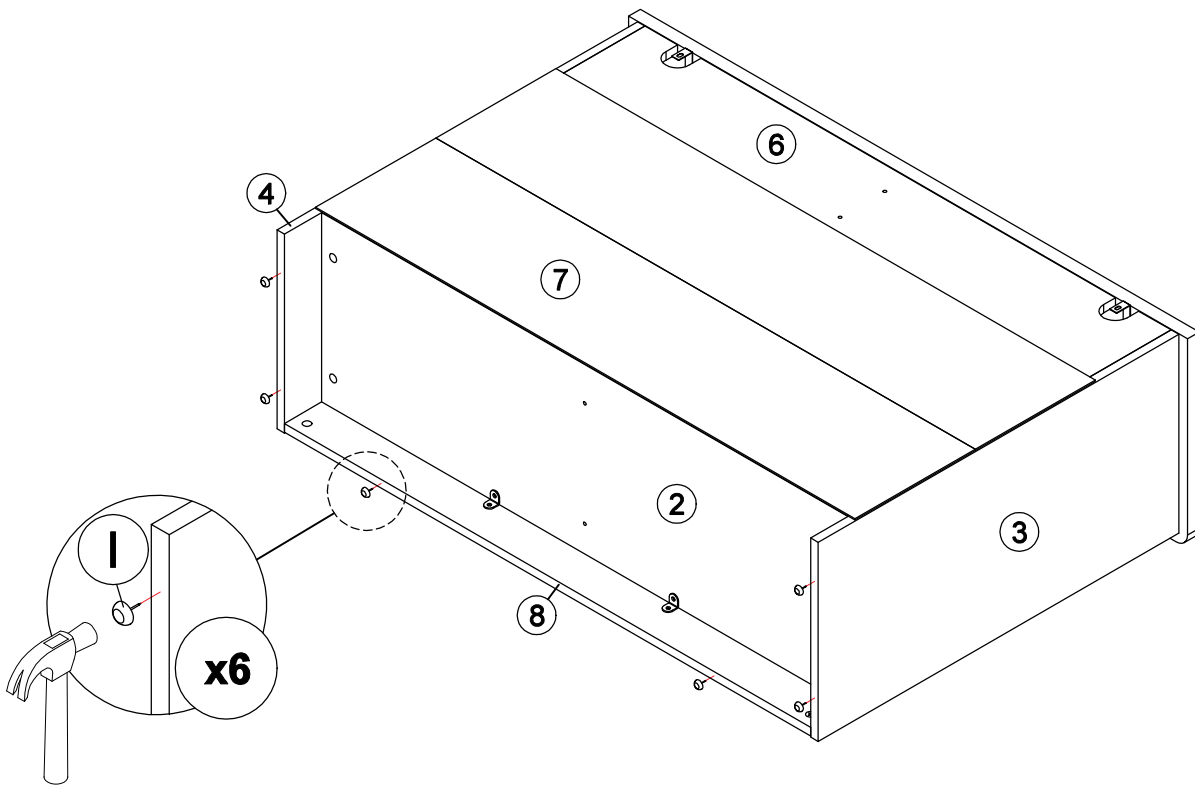
STEP 10:

- Assemble panel (7) to entire body with hardware H.
- (Repeat 24 times.)



STEP 11:

- Hit hardware I into bottom of panel (3), (4) and (8).
(Repeat 6 times.)

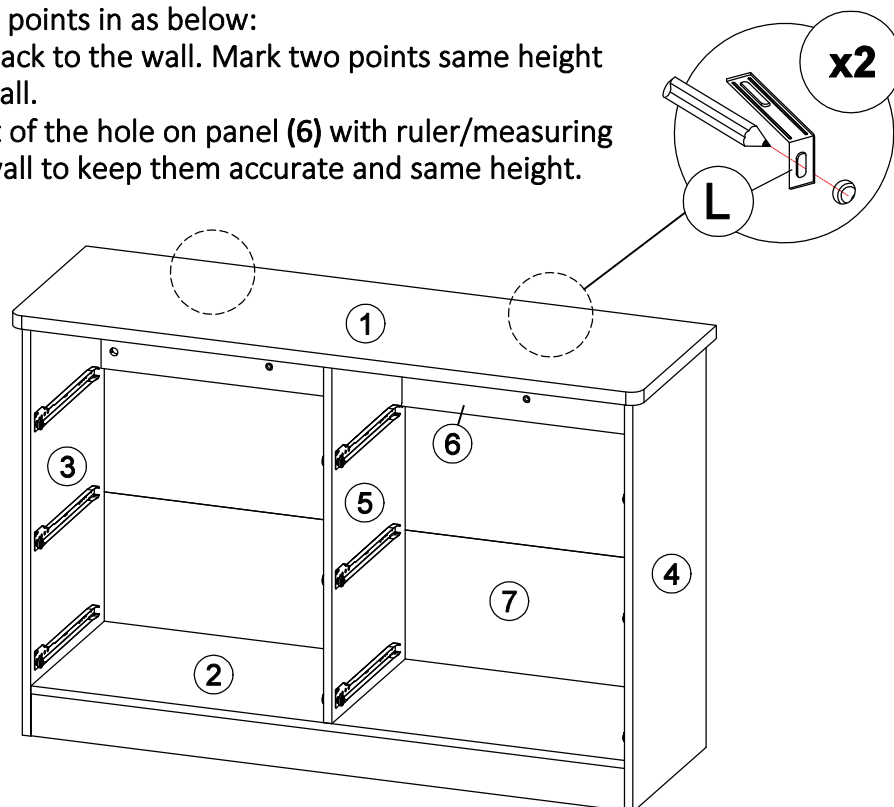


STEP 12:

- Mark the holes on the wall by using the pencil (not supplied).
(Repeat 2 times.)

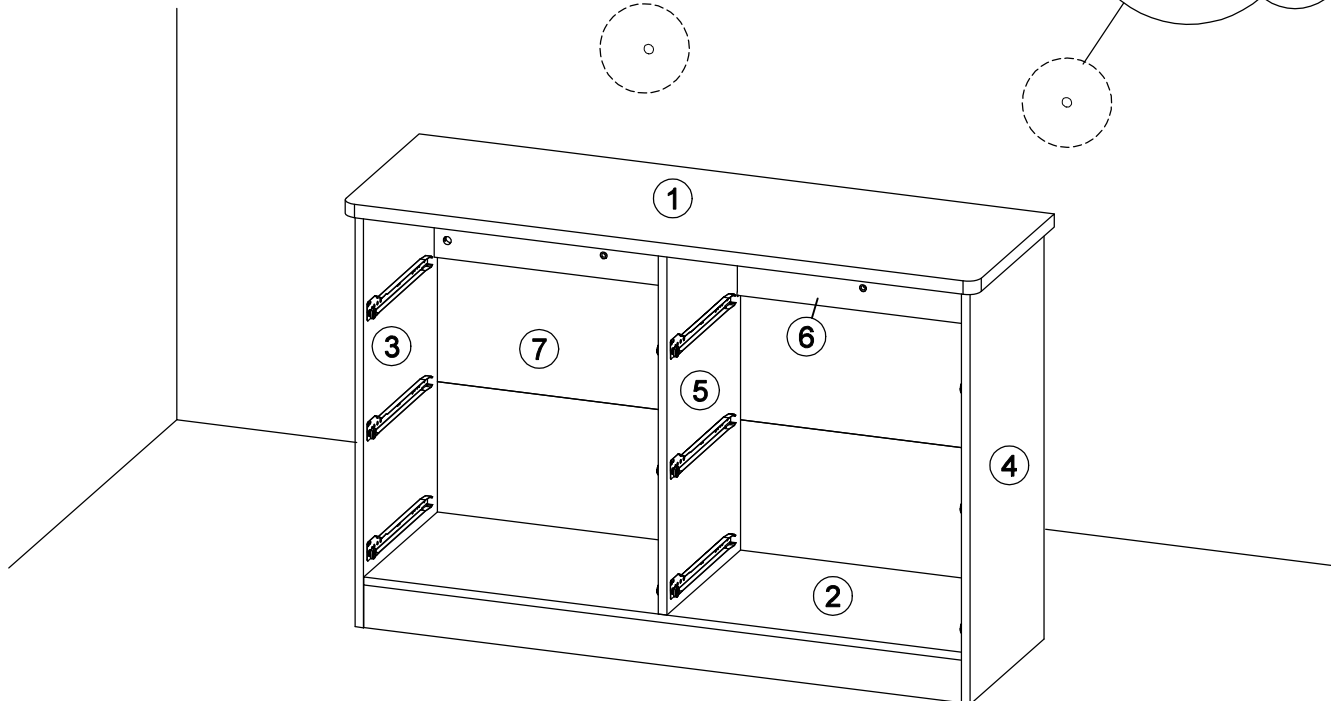
- You can mark these points in as below:

- 1) Move the Dresser back to the wall. Mark two points same height as Dresser on the wall.
- 2) Measure the height of the hole on panel (6) with ruler/measuring tape and mark on wall to keep them accurate and same height.



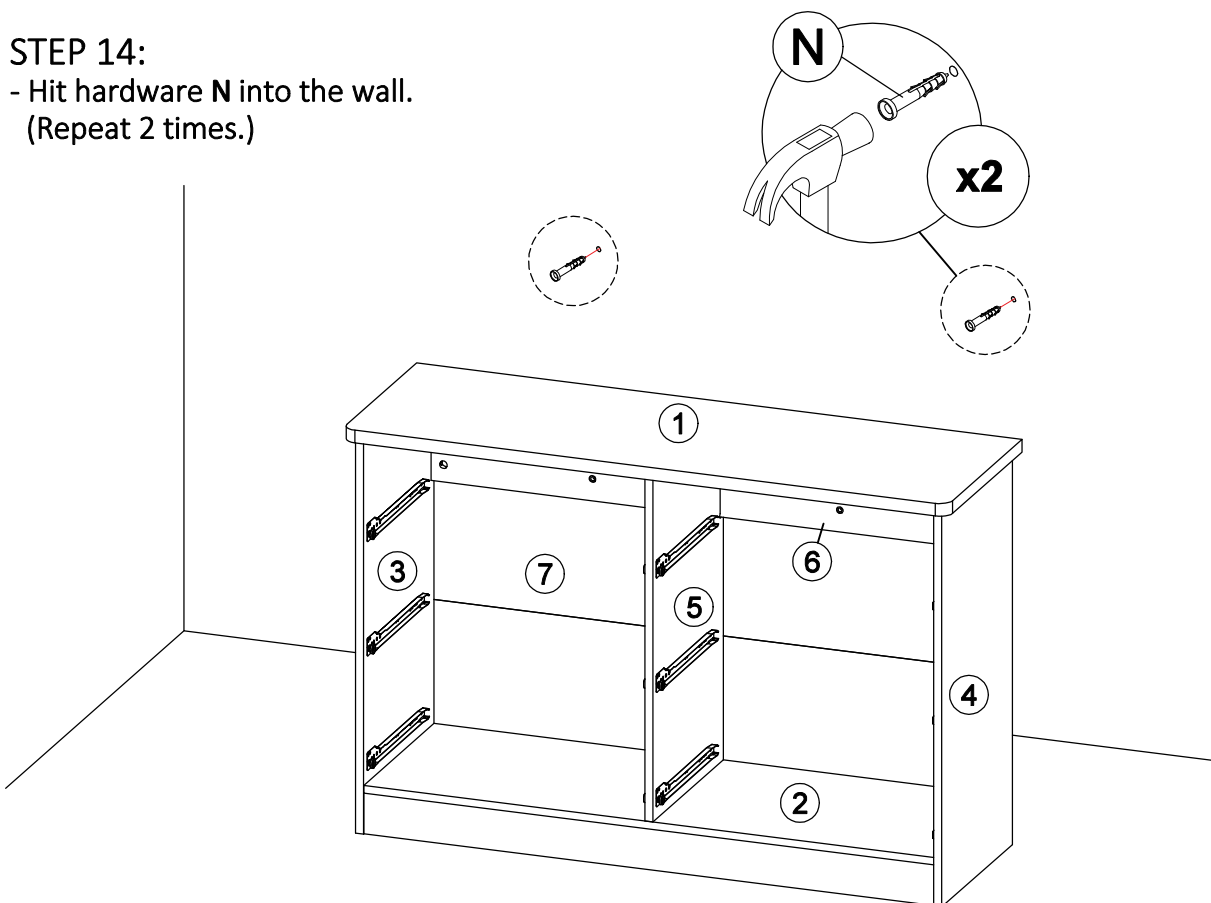
STEP 13:

- Use the power drill to drill the marking point on the wall.



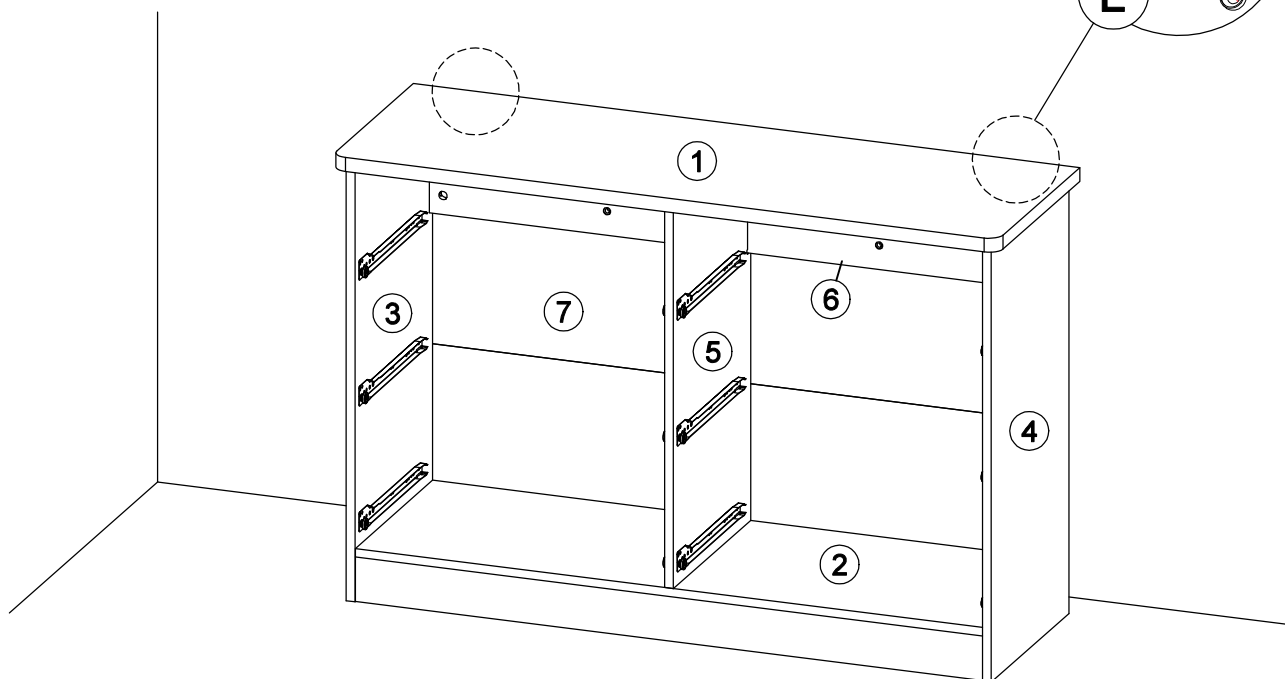
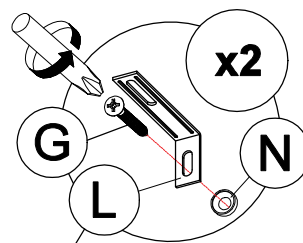
STEP 14:

- Hit hardware N into the wall.
(Repeat 2 times.)



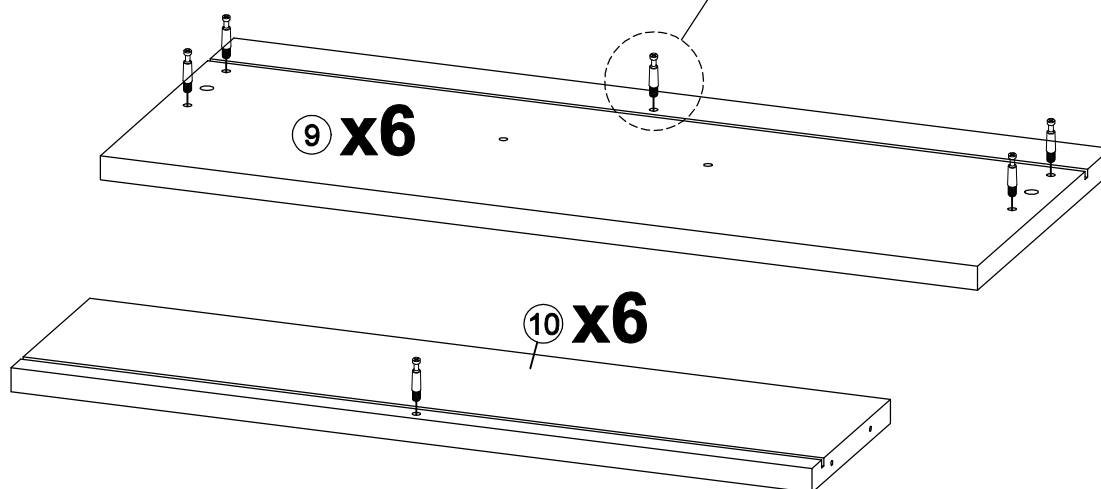
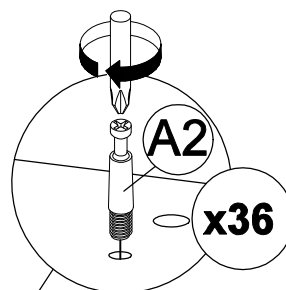
STEP 15:

- Assemble hardware L to hardware N by using hardware G.
(Repeat 2 times.)



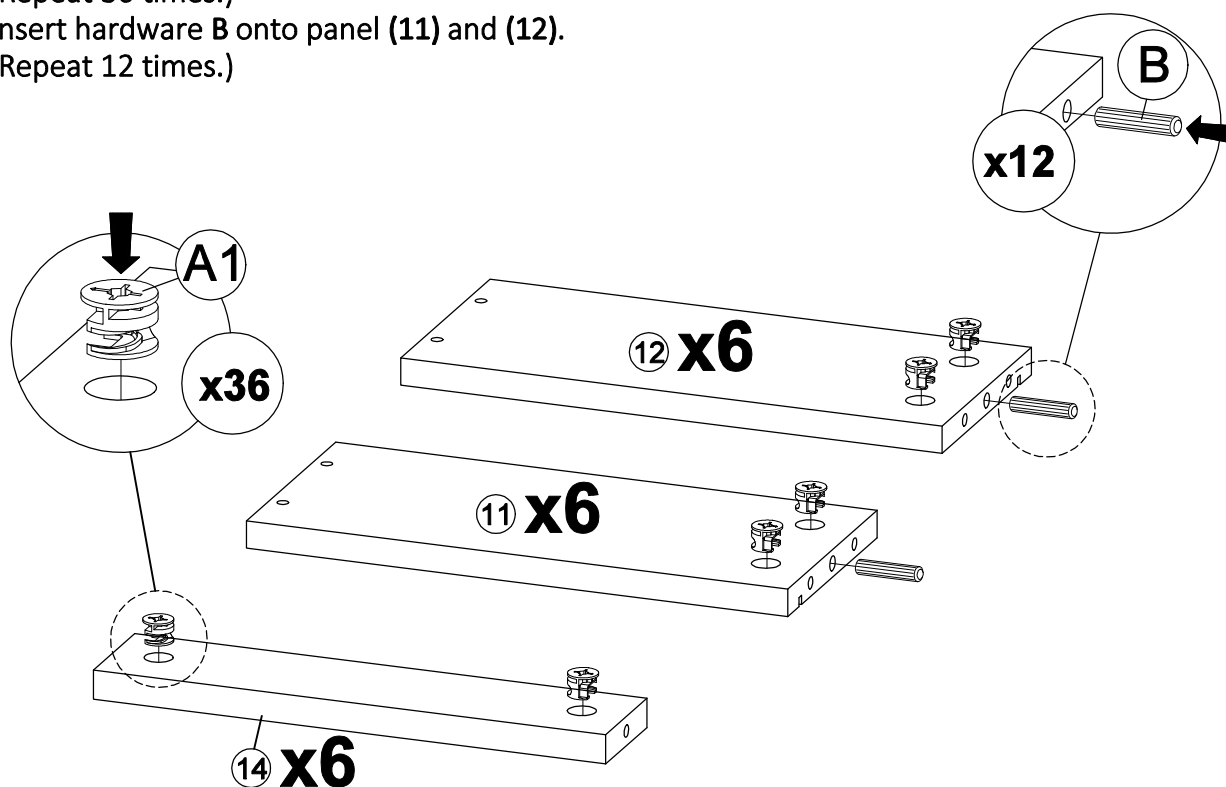
STEP 16:

- Insert hardware A2 onto panel (9) and (10).
(Repeat 36 times.)



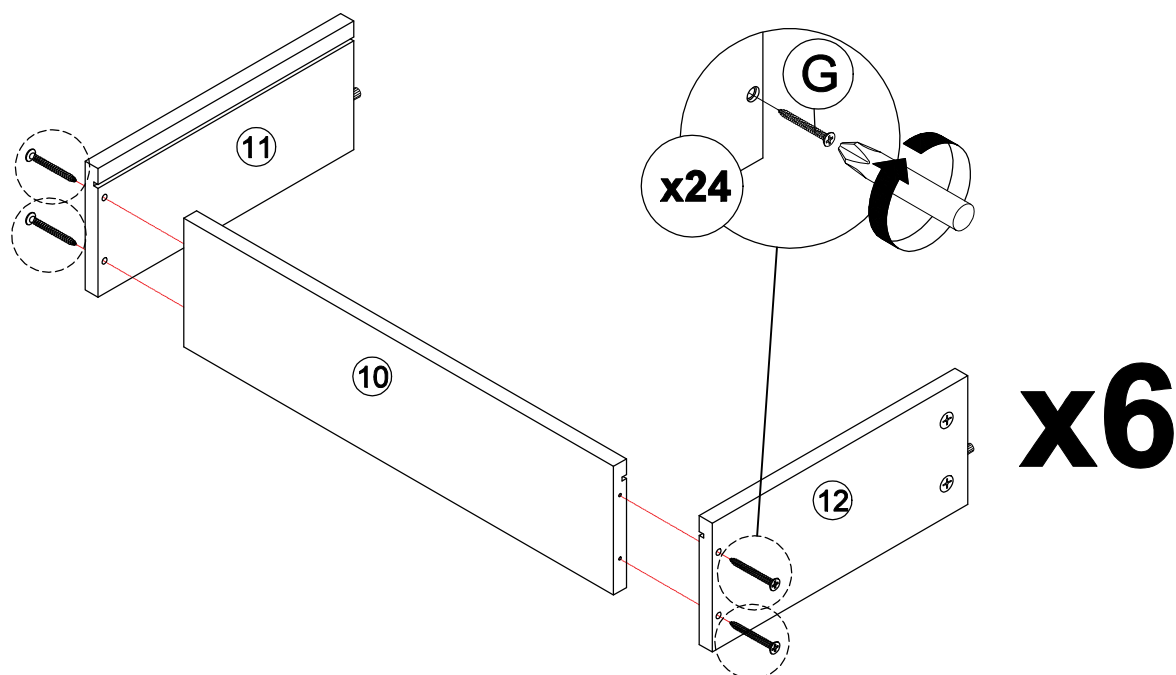
STEP 17:

- Insert hardware A1 onto panel (11), (12) and (14).
(Repeat 36 times.)
- Insert hardware B onto panel (11) and (12).
(Repeat 12 times.)



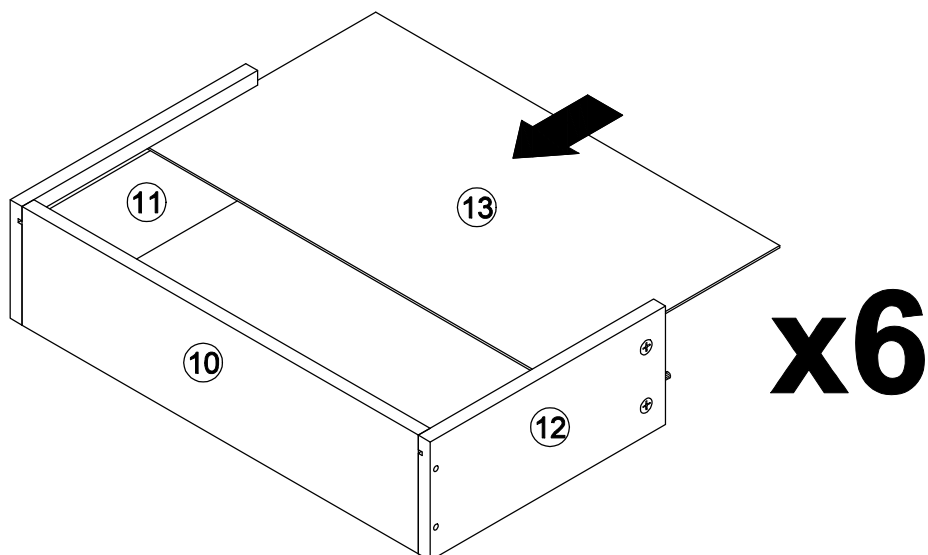
STEP 18:

- Assemble panel (11) and (12) with panel (10) by using hardware G.
(Repeat 4 times for each drawer.)



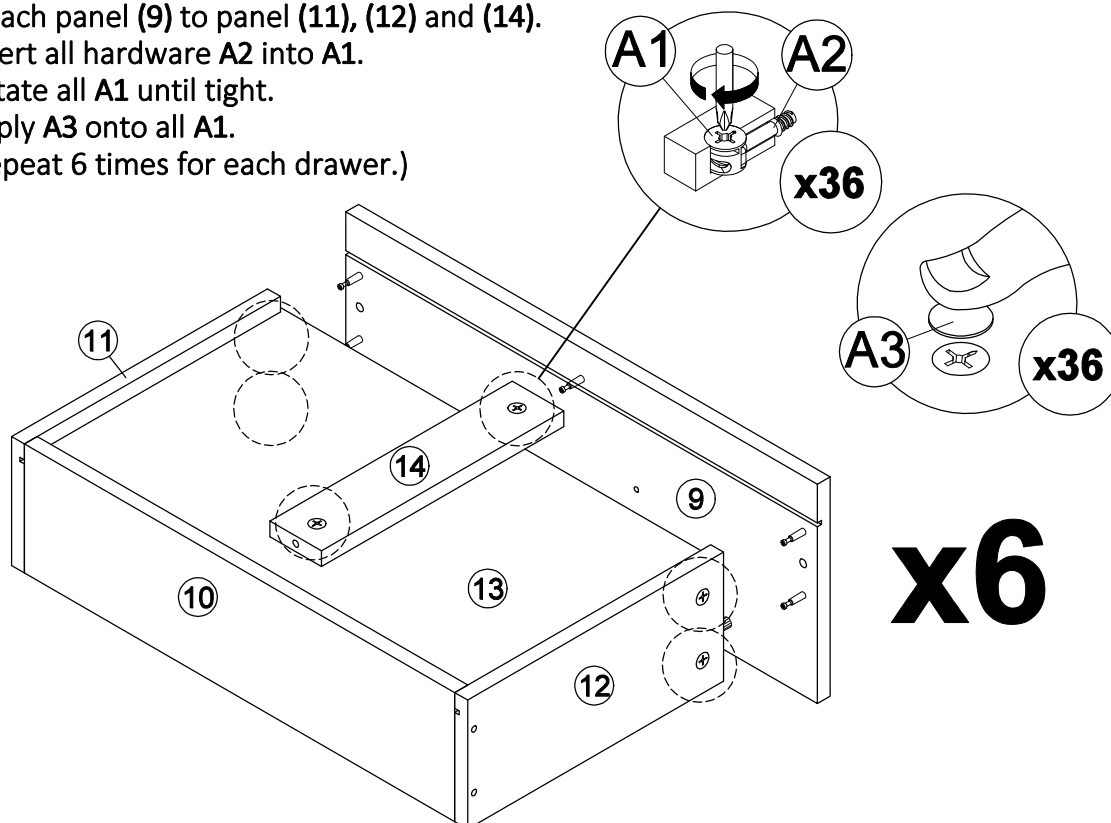
STEP 19:

- Insert panel (13) along the slot.
(Repeat 1 times for each drawer.)
- * In this step only show one of the drawers.



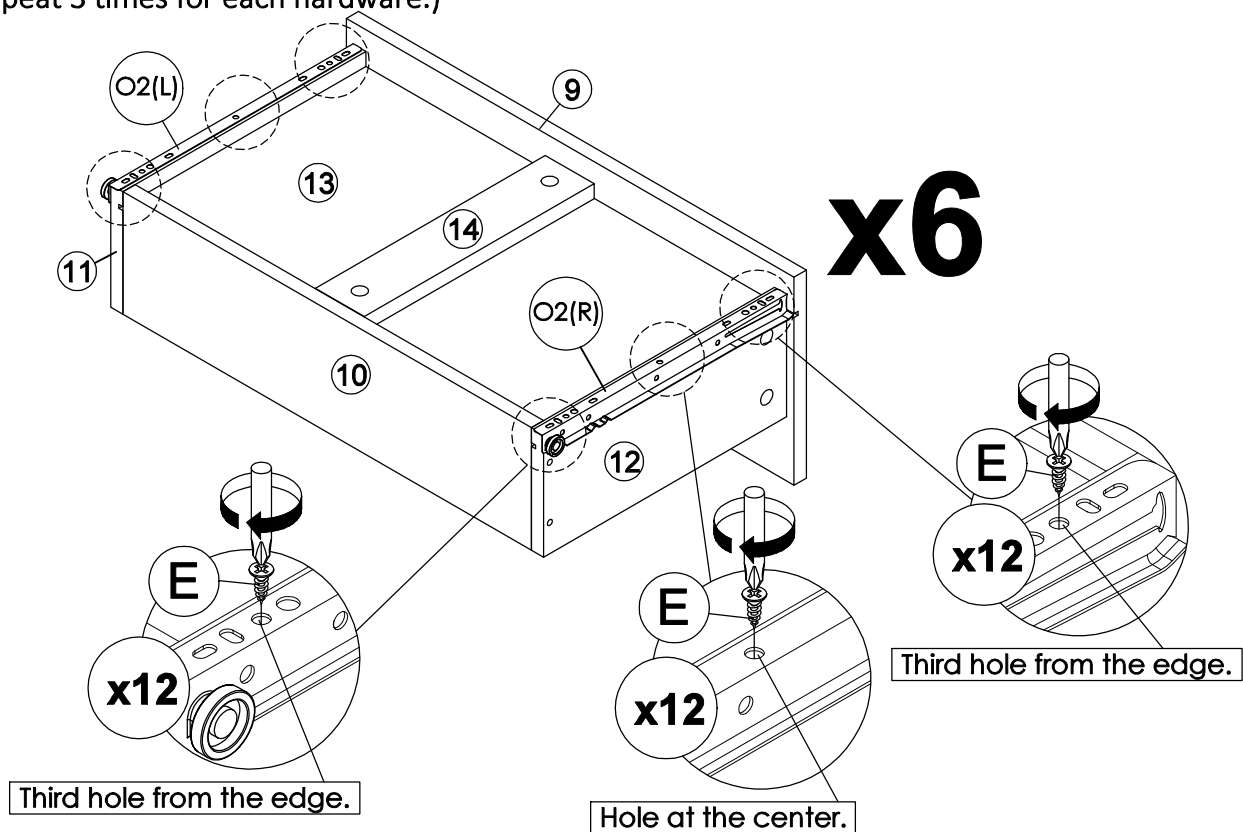
STEP 20:

- Attach panel (14) to panel (10).
- Attach panel (9) to panel (11), (12) and (14).
- Insert all hardware A2 into A1.
- Rotate all A1 until tight.
- Apply A3 onto all A1.
- (Repeat 6 times for each drawer.)



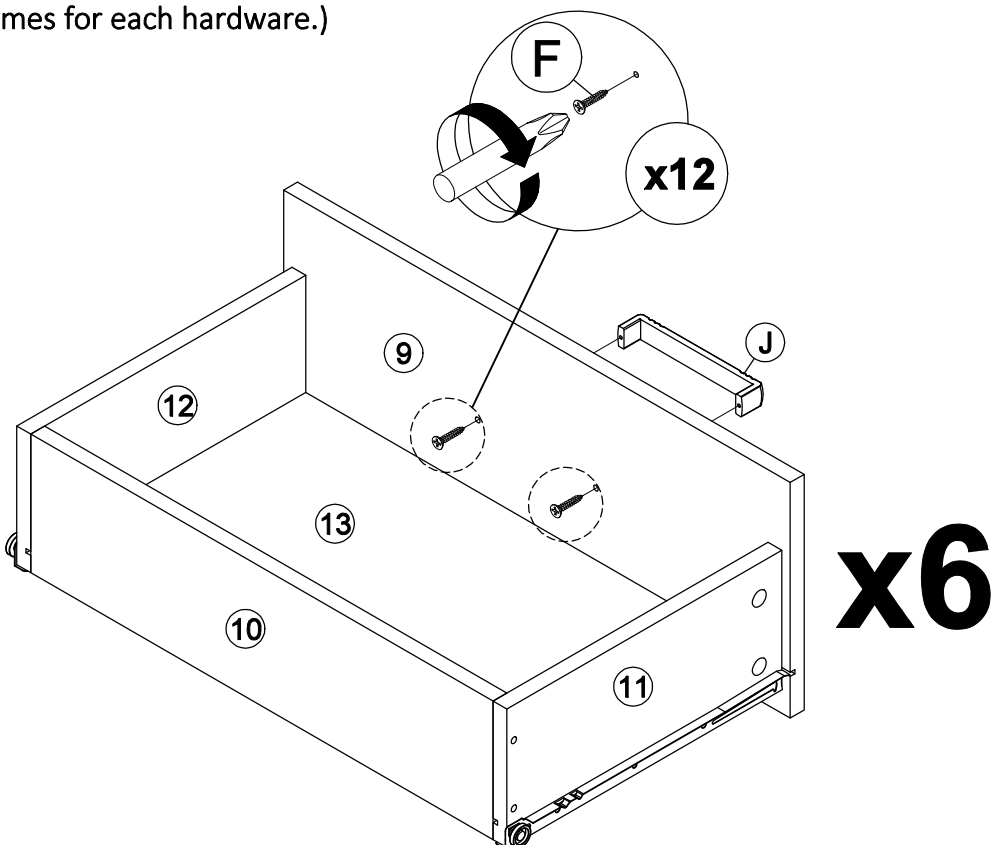
STEP 21:

- Assemble hardware O2 (L/R) to panel (11) and (12) by using hardware E.
(Repeat 3 times for each hardware.)



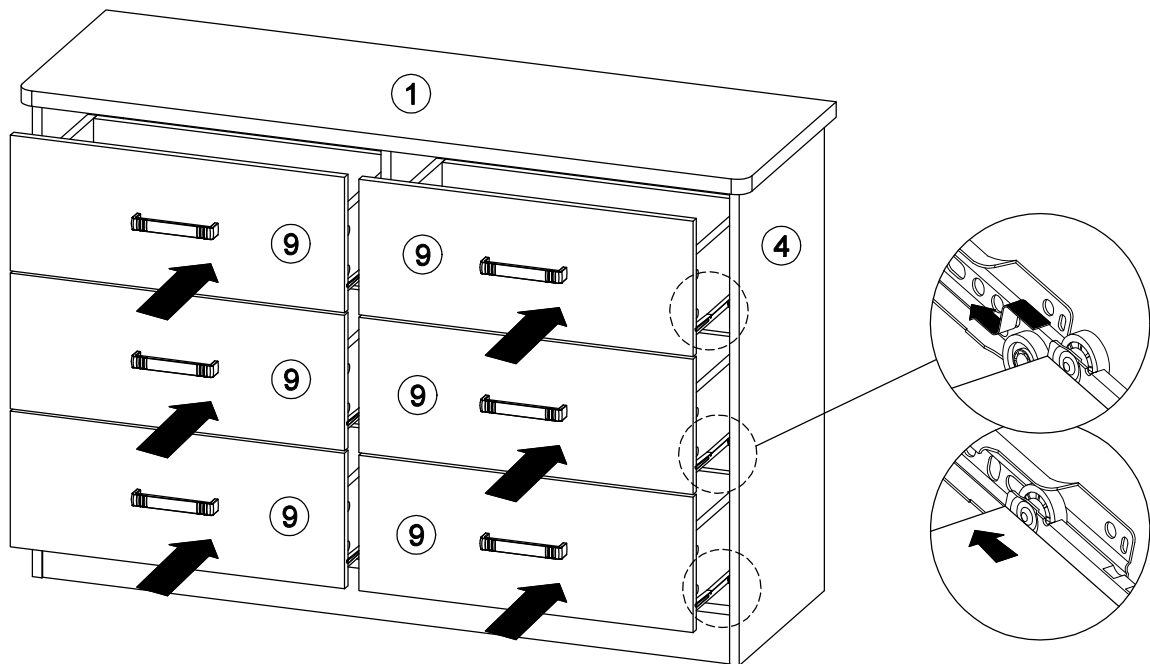
STEP 22:

- Fix hardware J onto panel (9) by using hardware F.
(Repeat 2 times for each hardware.)



STEP 23:

- Put all the drawer in place along the drawer slides.



ASSEMBLY IS COMPLETE



SAFETY BRACKETS INSTRUCTIONS

1. Attach one Metal Bracket to the wall with the Wall Screw. Make sure to attach the Metal Bracket into a stud. If mounting into brick or masonry you will need to acquire wall anchors.
2. Attach the second Metal Bracket to the back of furniture frame with the Pan Head Screws.
3. Move the furniture to its final position. Thread a Cable Tie through the both Metal Bracket and tighten until snug. Do not over tighten.
4. Make sure that the Metal Bracket are firmly attached to the wall and furniture and that the Cable Tie is snug.

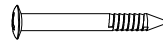
HARDWARE



Metal Bracket
X4



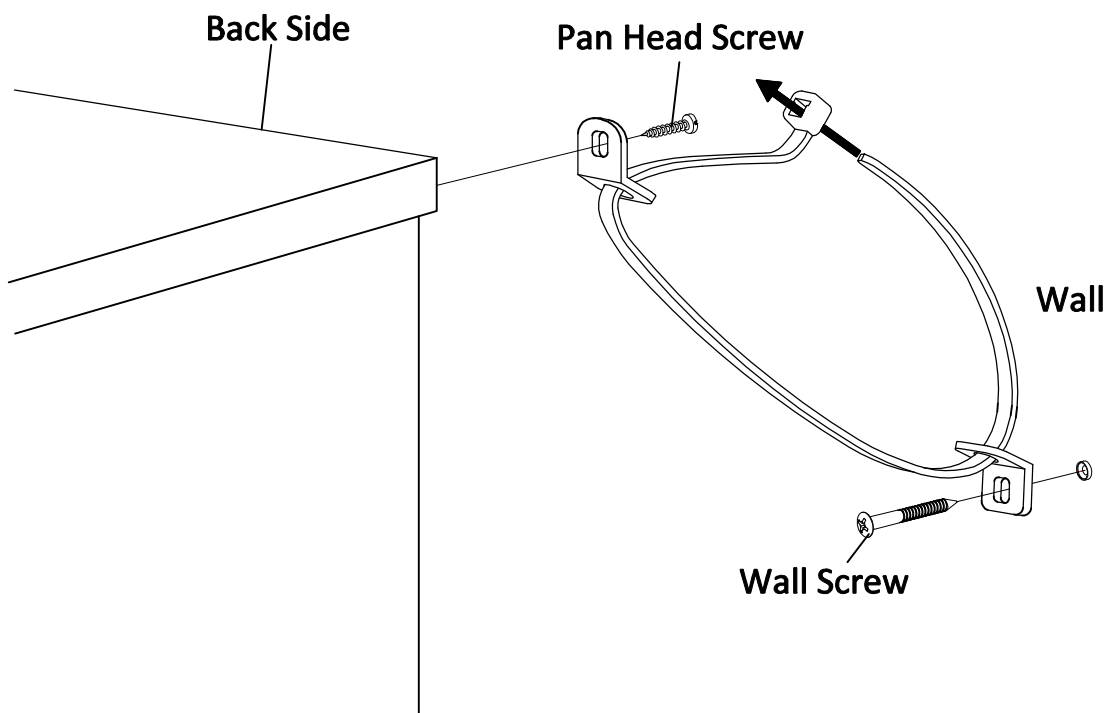
Cable Tie
X2



Wall Screw
X2



Pan Head Screw
X2



CARE AND MAINTENANCE

To protect your furniture, we suggest the following :

- Avoid placing your furniture in direct sunlight.
- Do not place furniture directly under window.
- Do not place sharp materials (knife, fork, etc.) directly onto your furniture as sharp material may scrape and damage the finish.
- Do not place material with high temperature directly onto the surface of your furniture.
- Clean up spills quickly. Water left over a prolonged period of time may cause damage. Alcohol, perfume, nail polishes, aftershave and some medication may cause server finish damage if not cleaned immediately.
- Use a clean, soft, dry, lint free absorbent cloth to clean your furniture. Do not use any detergent as they may contain ingredients that may react and damage the finish.

NOTE: If the above care advise is not adhered to your product warranty may become void.